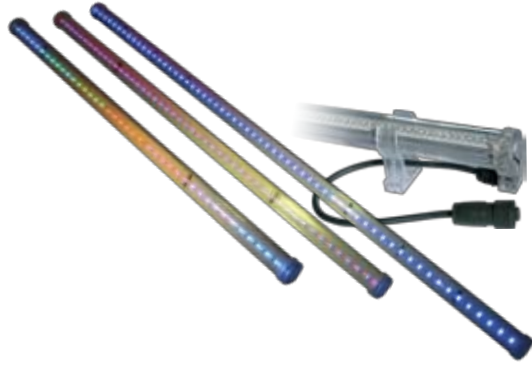




USB-i 505

LED Bar

Waterproof IP66



The DecaLED® LED Bar offers an affordable and effective solution to create coloured light lines in architectural and entertainment environments.

It is IP66 rated for exterior usage and available in three different lengths (875mm, 1000mm and 1250mm). Every LED Bar is divided into sections of 12.5cm that can be individually controlled by DMX. Alternatively, a standalone mode allows one of ten pre-programmed effects to be run at an adjustable speed and fade time. A digital setup tool is required for configuration changes. Every LED Bar is supplied with connection cables and mounting clips.

Please note that the RGB version is available from stock and that we offer various control options. Please see the indicators for the correct drivers, controllers and accessories.

Fader Panel

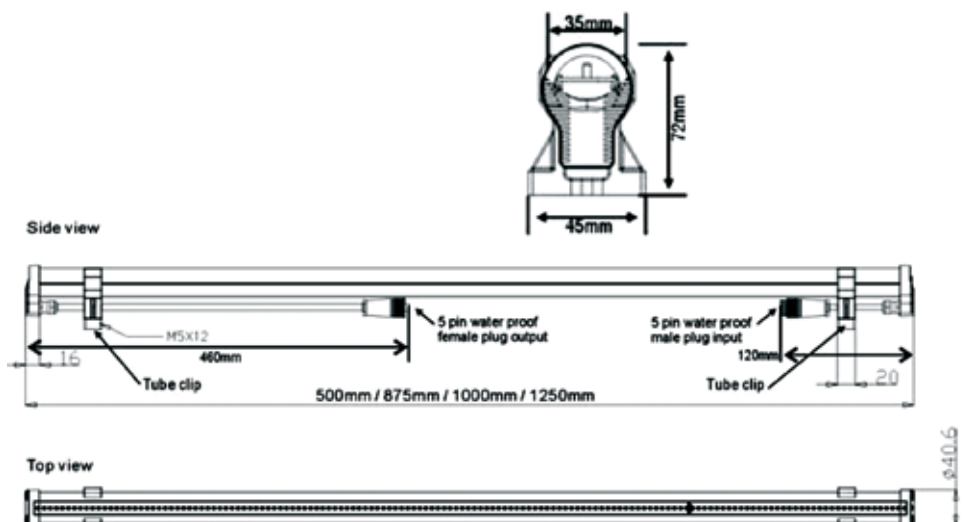
Setup tool

DecaLED® LED Bar Product Specification

Code	95160248	95160249	95160250
Description	DecaLED® LED Bar 875 IP66	DecaLED® LED Bar 1000 IP66	DecaLED® LED Bar 1250 IP66
Type	DECA.BAR.875	DECA.BAR.1000	DECA.BAR.1250
Input voltage	24VDC	24VDC	24VDC
Current	0.45A	0.5A	0.6A
Power consumption	10.5W	12W	13.5W
Max. chainable	10	8	7
Current at max. chain	4.5A	4A	4.2A
Power consumption at max. chain	105W	96W	94.5W
Control	USB-i 505	USB-i 505	USB-i 505
Max. per controller	28	24	20
Max. per output	7	6	5
Max. per PSU 24V 80W	7	6	6
Max. per PSU 24V 300W	28	24	20
LED properties	126 5mm LEDs	144 5mm LEDs	180 5mm LEDs
Dimensions	875 x 40 x 55 mm	1000 x 40 x 55 mm	1250 x 40 x 55 mm
Weight	600 g	700 g	850 g
IP rating	IP66	IP66	IP66
Note	3-21 channels	3-24 channels	3-30 channels

Accessories

Control USB-i 505 95380247	Setup tool Setup tool 95350247
Bracket Mounting clip 95780400	Cable Starter cable 95780110



DecaLED® lighting products



Or any other device capable of supplying a DMX 512 signal



Or any other device capable of supplying a DMX 512 signal



Or any other device capable of supplying a DMX 512 signal

Optics: Clear Polycarbonate
 Light source: 144 Ø5mm LEDs (48 red, 48 green, 48 blue)
 Beam angle: 96 deg
 Light distribution: symmetric direct illumination

* For installations that require longer cable lengths please contact your sales representative or calculate this using the product information.

Illuminance

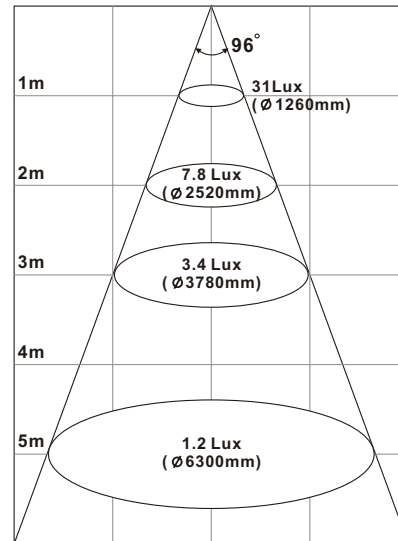
COLOR	DISTANCE		1m		2m		3m		5m	
	Lux	Size (mm)	Lux	Size (mm)	Lux	Size (mm)	Lux	Size (mm)	Lux	Size (mm)
RED	7.2	1200	1.8	2400	0.8	3600	0.2	6000		
GREEN	21.8	1340	5.4	2680	2.42	4020	0.8	6700		
BLUE	5.2	1200	1.2	2400	0.6	3600	0.2	6000		
WHITE	31	1260	7.8	2520	3.4	3780	1.2	6300		

* light pattern indicates the size at 50% of peak intensity

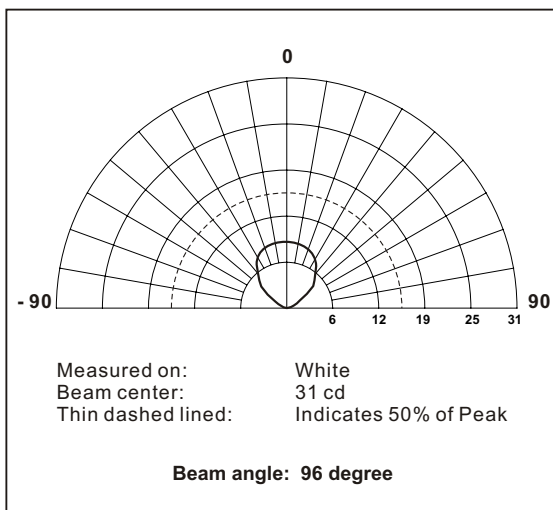
Light output

COLOR	Total (lumens)	Power(watts)	Efficacy(lm/W)
RED	19.01	4.1	4.6
GREEN	49.97	4.0	12.49
BLUE	12.01	4.0	3.0
WHITE	74.17	10.8	6.86

Full intensity in white color

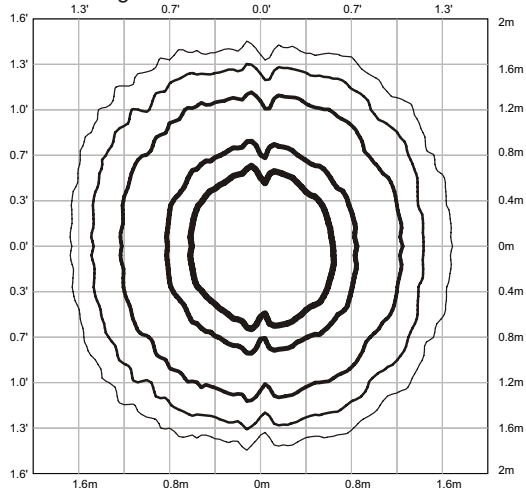


Light distribution



IES file is also available

Isolux diagram



At 1m distance

- 3% 0.9lx
- 5% 1.6lx
- 10% 3.1lx
- 30% 9.3lx
- 50% 15.5lx